

THINBIT®

Are we proud of
how it all started?

Just a little bit.®



Celebrating 55 Years
New Products & Promotions



**Proudly Made
in the U.S.A.**

Kaiser Tool Company, Inc. | 888-THINBIT | 888-THINFAX

Promotions effective August 1 to December 31, 2019

© Kaiser Tool Company, Inc. 2019

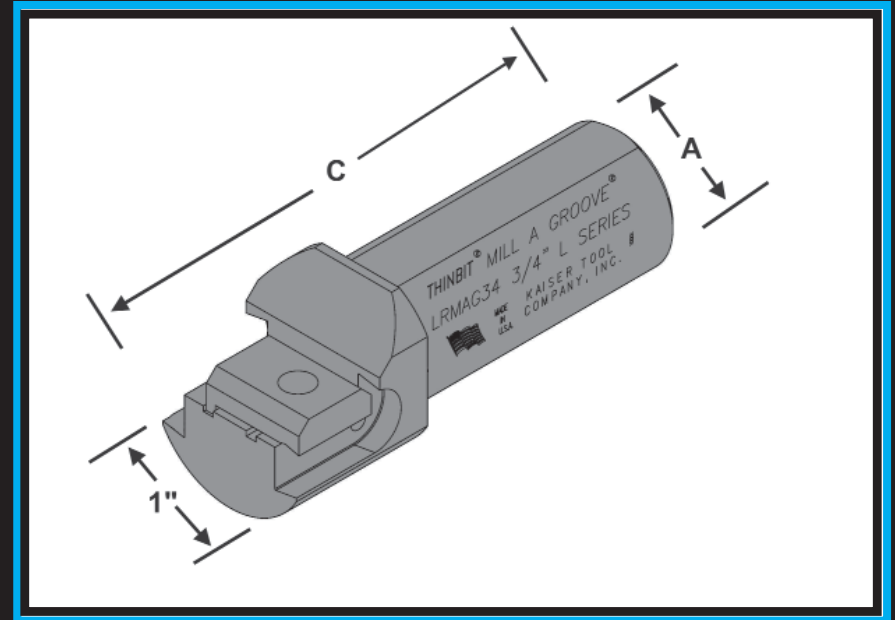
THINBIT®



THINBIT®, from Kaiser Tool Company, presents the Mill A Groove® line for trepanning on a CNC or conventional milling machine.

The tool enables machining groove diameters that are concentric to the spindle rotation and not the table movement and eliminates secondary lathe operations for face grooving.

The insert does not rotate about its own center, so the groove can be symmetrical or asymmetrical. One insert can make convex and concave radius grooves, chamfered edges, angles and special profiles.

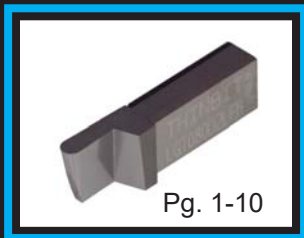


Inserts available (.004" through .150") in .001" increments.
(See pages 2-9 & 2-10 in the 2018 THINBIT® catalog)

Shank Orientation	Shank Dimensions "A"	Toolholder Package (Includes Shank, head, clamp and hardware)	Overall Length "C"	Clamp	Clamp Hardware
Right Hand or Left Hand Use as right hand with right hand inserts; Use as left hand with left hand inserts; Use as either hand with centered inserts	.500" Ø X 1.50" long	LRMAG12	2.35"	Clamp C	Screw: S2808 Wrench: W1009 Pin: P0305
	.625" Ø X 1.63" long	LRMAG58	2.48"		
	.750" Ø X 1.63" long	LRMAG34	2.48"		
	.787" Ø X 1.63" long	LRMAG20M	2.48"		
	.984" Ø X 1.92" long	LRMAG25M	2.77"		
	1.00" Ø X 1.92" long	LRMAG01	2.77"		

Celebrating 55 years!

Purchase Ten (10) standard LGT, LGPT, or LGTF inserts and receive **55% off** a standard Groove 'N Turn® Toolholder!



Pg. 1-10

LGT GROOVING

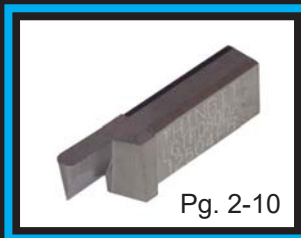
Insert Widths
.004" to 150"
right hand or
left hand



Pg. 5-4

LGPT PARTING

Insert Widths
.025", .045", .062"
.085" and .115"
right, left hand
or centered



Pg. 2-10

LGTF FACE GROOVING

Insert Widths
.004" to 150"
right hand or
left hand

Choose from thousands of Groove 'N Turn® inserts!

- Choose any radius
- Parting inserts can be right, left handed or centered
- Special promotion does not include high speed steel, threading, dovetail or Acme inserts.
- Discounts may not be applied to previous orders.
- Limit of 2 Groove 'N Turn® Toolholders per order.

Promotional Offer good August 1 to December 31, 2019

Order by phone: (888) 844-6248

Email: orders@thinbit.com

Fifty-five years is a long time for any company and is particularly amazing for a small manufacturing company. The idea of THINBIT® grooving tools, its start in a garage and attic and its subsequent growth to where it is today is a wonderful story. A story that speaks of the tenacity of its founders, William and Hazel Kaiser, and the hard work and resilience of its people throughout these past fifty-five years.

I am proud to be a part of this legacy, and it is a privilege to celebrate the fifty-five years of THINBIT®.

Lenore E. Perry
President



TO REQUEST OUR FREE CATALOG

PHONE: 1.888.844.6248

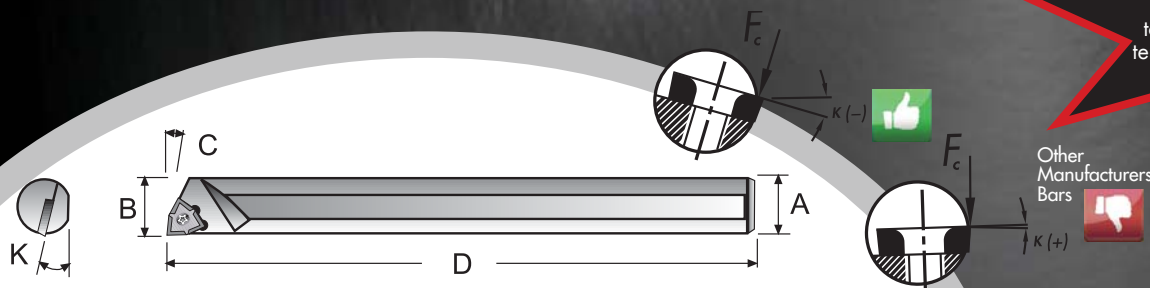
FAX: 1.888.844.6329

EMAIL: catalog@thinbit.com

WEB: www.thinbit.com

BAR SPECIFICATIONS								INSERT SPECIFICATIONS				
Right Hand Boring Bar Style	Minimum Bore 'B' with .007" Radius Insert	Material/ Price Extension Ratios Steel 4 x Ø Carbide 8 x Ø	Bar Diameter 'A'	Length 'D'	Lead Angle 'C'	'K' Angle 'K'	Boring Bar Includes Screw and Wrench	Insert Style	Corner Radius	DURA-MAX® 3000/4000 CARBIDE For Steel & Interrupted Cutting	DURA-MAX® 5000 CARBIDE For Aluminum & Non-ferrous	Coating
	.210"	Carbide \$225	.187"	4.474"	3°	17°	MBEC131821R		.004"	MBEIW04D4_	MBEIW04D5_	Uncoated add 'U' TiN add 'C' TiAlN add 'E'
	.210"	Steel \$165	.187"	3.500"	3°	17°	MBES131821R		.008"	MBEIW08D4_	MBEIW08D5_	
	.270"		.250"	4.000"	3°	12°	MBES132527R		.015"	MBEIW15D4_	MBEIW15D5_	
	.270"	Steel \$165	.250"	4.000"	3°	15°	MBFS132527R		.004"	MBFIW04D4_	MBFIW04D5_	
		Carbide \$255	.250"	6.488"	3°	15°	MBFC132527R		.008"	MBFIW08D4_	MBFIW08D5_	
									.015"	MBFIW15D4_	MBFIW15D5_	
	.180"	Steel \$165	.187"	2.500"	7°	17°	MBAS171818R		.002" CDCD	MBAIZ02D4_	MBAIZ02D5_	
		Carbide \$240	.156"	4.477"	7°	17°	MBAC171518R			.007" CDCH	MBAIW07D4_	
	.220"	Carbide \$240	.187"	4.477"	5°	17°	MBAC151822R					
	.230"	Steel \$165	.187"	3.500"	5°	17°	MBAS151823R					
	.280"	Steel \$165	.250"	4.000"	5°	12°	MBAS152528R					
		Carbide \$240	.250"	6.504"	5°	12°	MBAC152528R					
	.270"	Steel \$165	.187"	3.500"	5°	17°	MBBS151827R		.002" TDAB	MBBIZ02D3_	MBBIZ02D5_	
	.300"	Carbide \$255	.250"	6.488"	5°	12°	MBBC152530R		.015" TDCH	MBBIW15D4_	MBBIW15D5_	
	.430"	Steel \$175	.375"	5.500"	0°	8°	MBCS103743R		.002" TPCB	MBCIZ02D3_	MBCIZ02D5_	
			.560"	.500"	6.000"	5°	2°		MBCS255056R (coolant bar)*	.015" TPCH	MBCIW15D4_	MBCIW15D5_
												.031" TPCH

Valid through December 31st 2019, while supplies last.
Kaiser Tool Company reserves the right to limit, modify or cancel any promotional offer.



MINI-BORE® package offer includes one toolholder and ten inserts at one great price!

MINI-BORE® bars are designed with a negative cutting rake or 'K' angle. This unique design provides critical advantages:

- Greater cross-sectional area under the cutting edge which increases the strength and rigidity of the pocket.
- Increased screw thread engagement to reduce thread stripping and increase insert holding power.
- Better surface finishes due to better chip control and flow.

*While supplies last.

THINBIT[®]



Kaiser Tool Company, Inc.
3620 Centennial Drive
Fort Wayne IN 46808